

MULTIPLE CHOICE QUESTIONS

1. The isometric projection of a circle is -----
 - a) Ellipse
 - b) Circle
 - c) Sphere
 - d) None of the above

2. In isometric projection all the three principal axes are inclined at an angle of -----
 - a) 30 degree
 - b) 45 degree
 - c) 120 degree
 - d) 90 degree

3. The angle difference between true scale and isometric scale is -----
 - a) 30 degree
 - b) 15 degree
 - c) 45 degree
 - d) None of the above

4. The isometric length is measured in isometric scale at an angle of -----
 - a) 90 degree
 - b) 45 degree
 - c) 30 degree
 - d) 20 degree

5. The true length is measured in isometric scale at an angle of -----

- a) 15 degree
- b) 90 degree
- c) 45 degree
- d) 30 degree

6. Isometric projection is smaller than actual drawings up to the value -----

- a) 82 %
- b) 90 %
- c) 75%
- d) None of the above

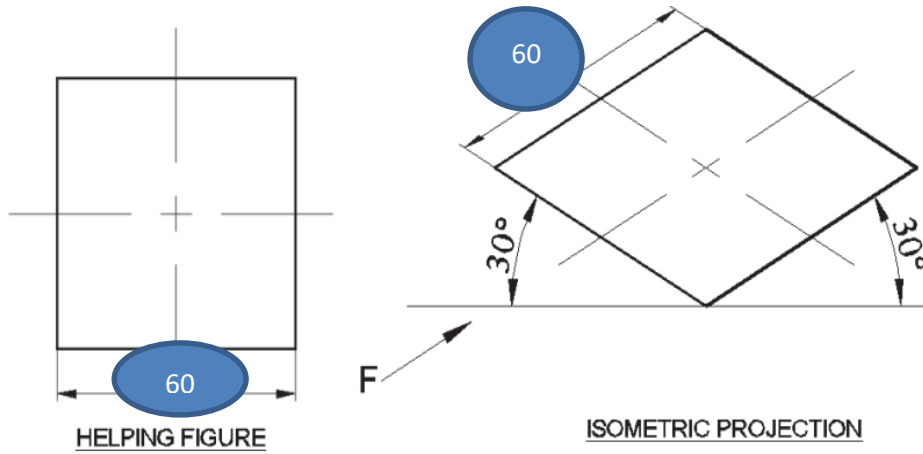
MULTIPLE CHOICE QUESTIONS

ANSWERS

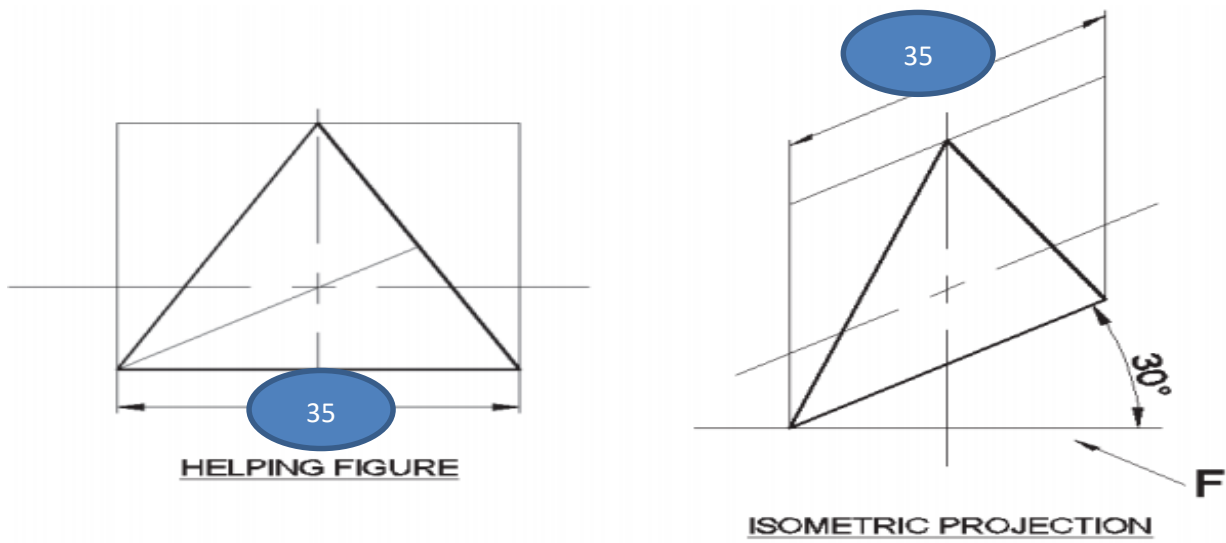
S.NO	ANSWERS
1.	a) Ellipse
2.	c) 120 degree
3.	b) 15 degree
4.	c) 30 degree
5.	c) 45 degree
6.	a) 82%

SOLUTIONS FOR DRAWINGS

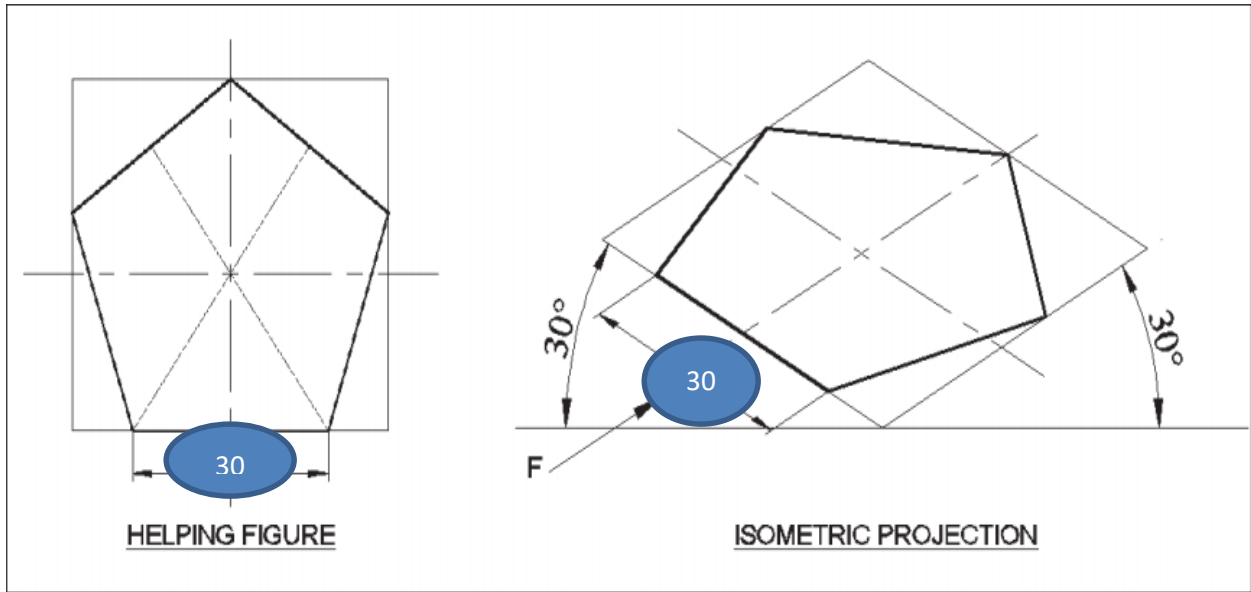
1.



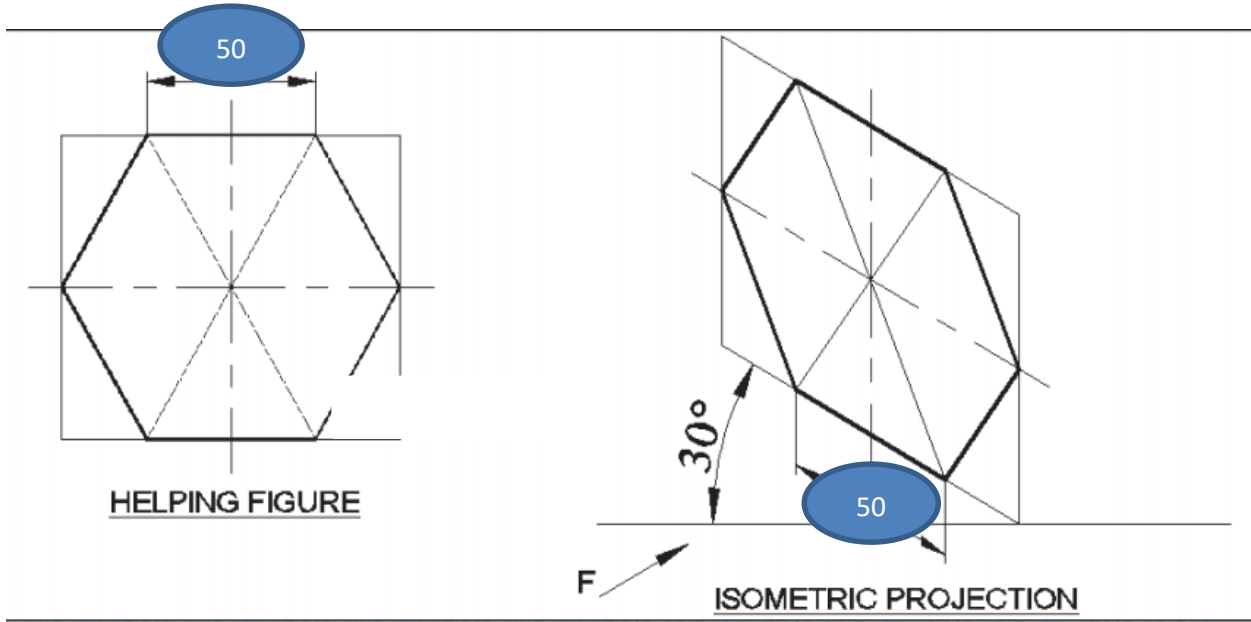
2.



3.

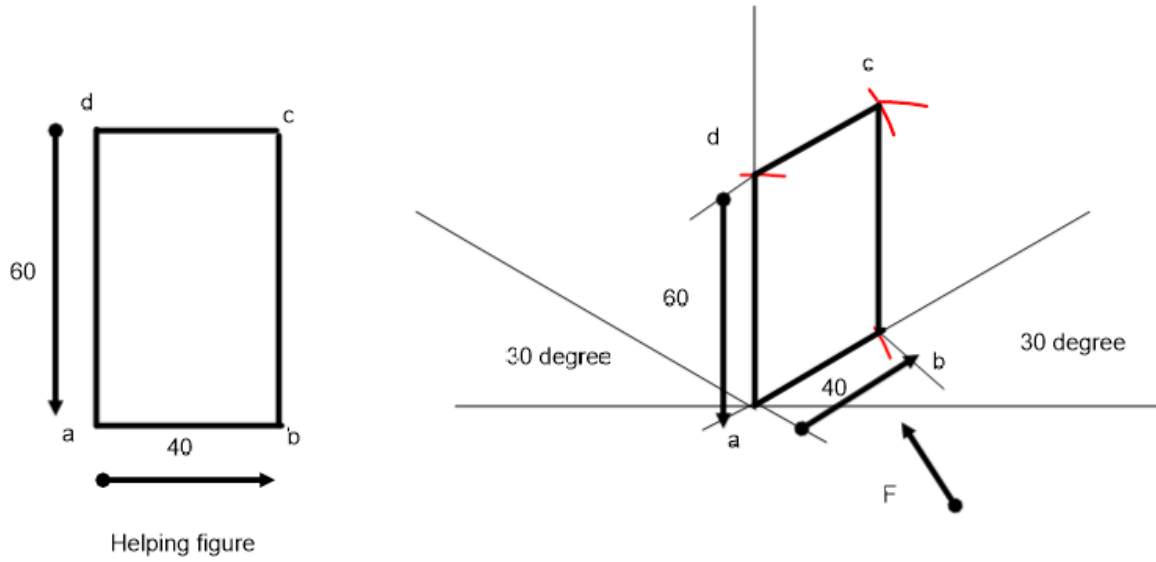


4.

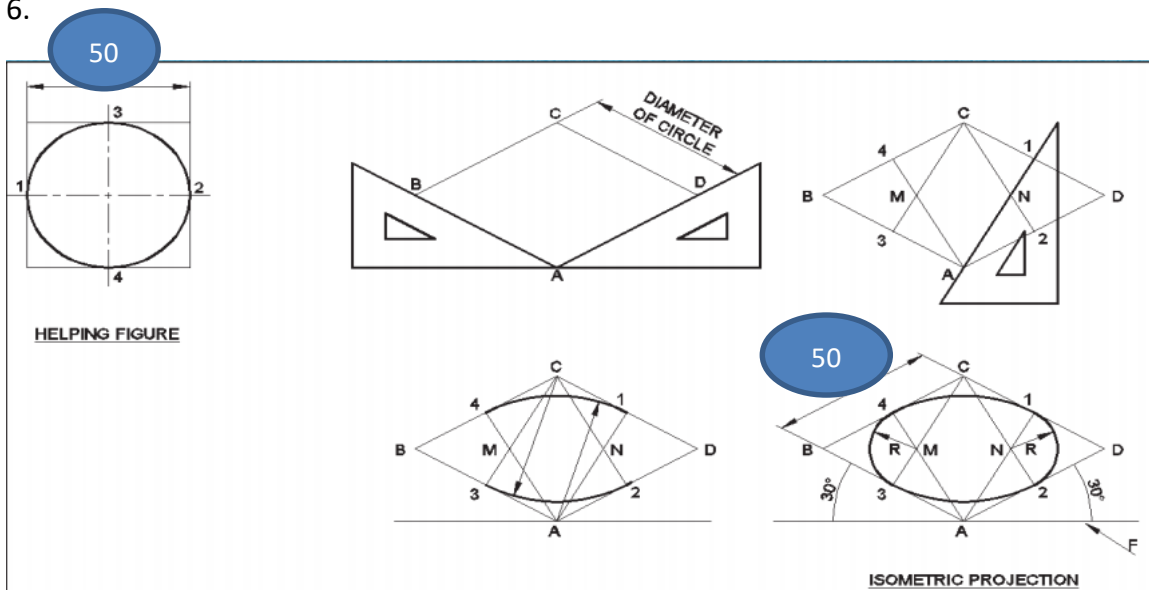


5.

Isometric projection of rectangle



6.



Prepared by :Mrs. Aiswarya Deepthi.P	Checked by : HOD - SCIENCE
--------------------------------------	----------------------------